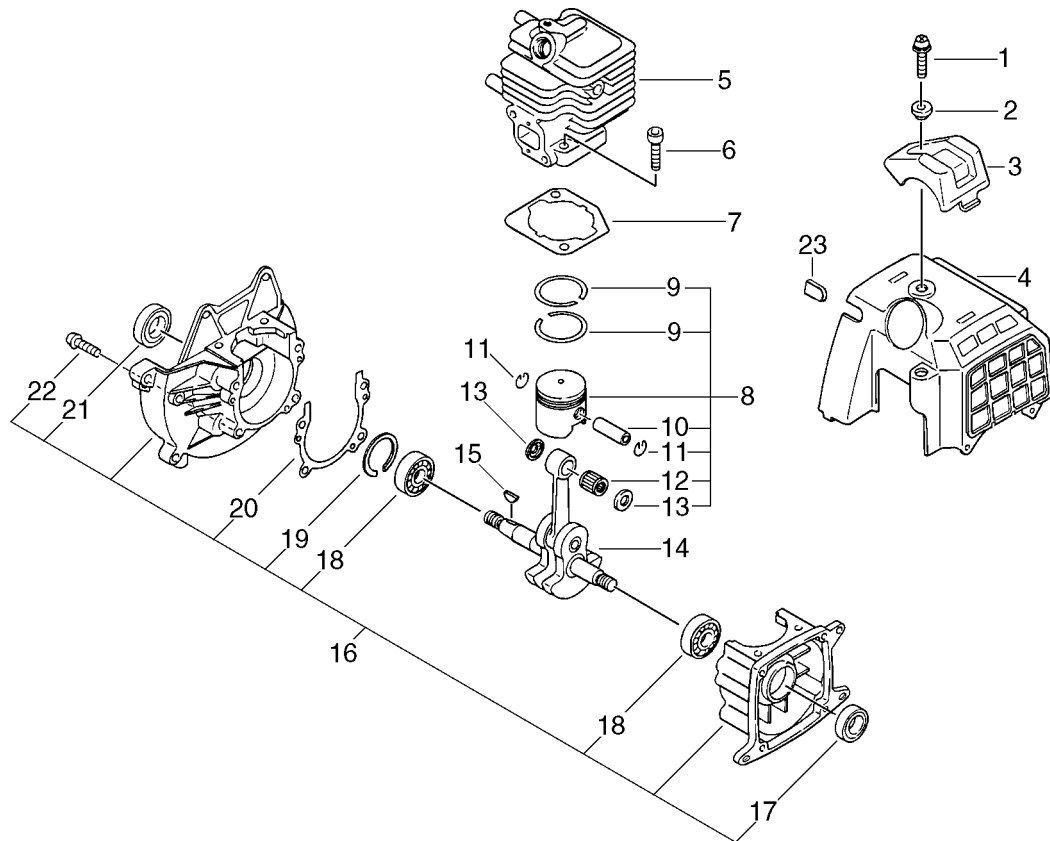


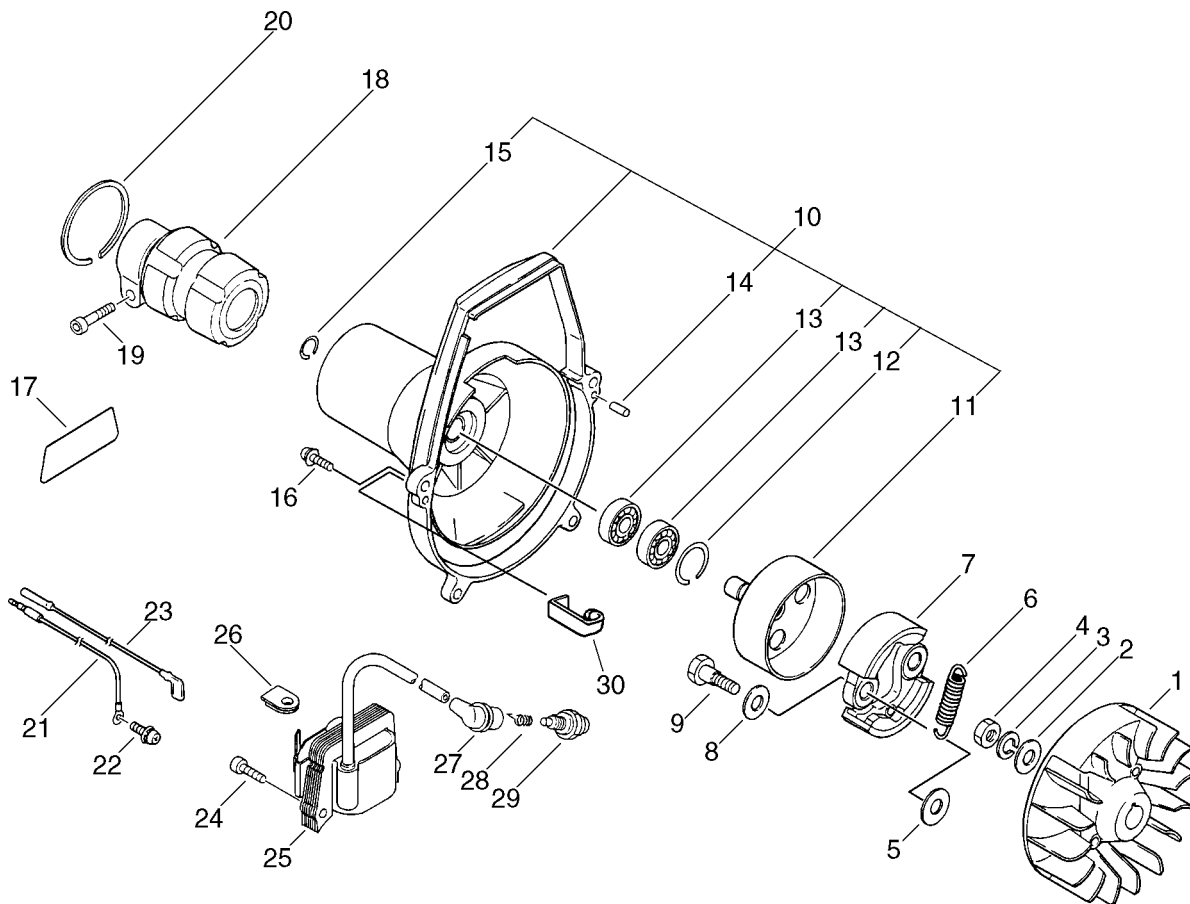


PARTS CATALOGUE

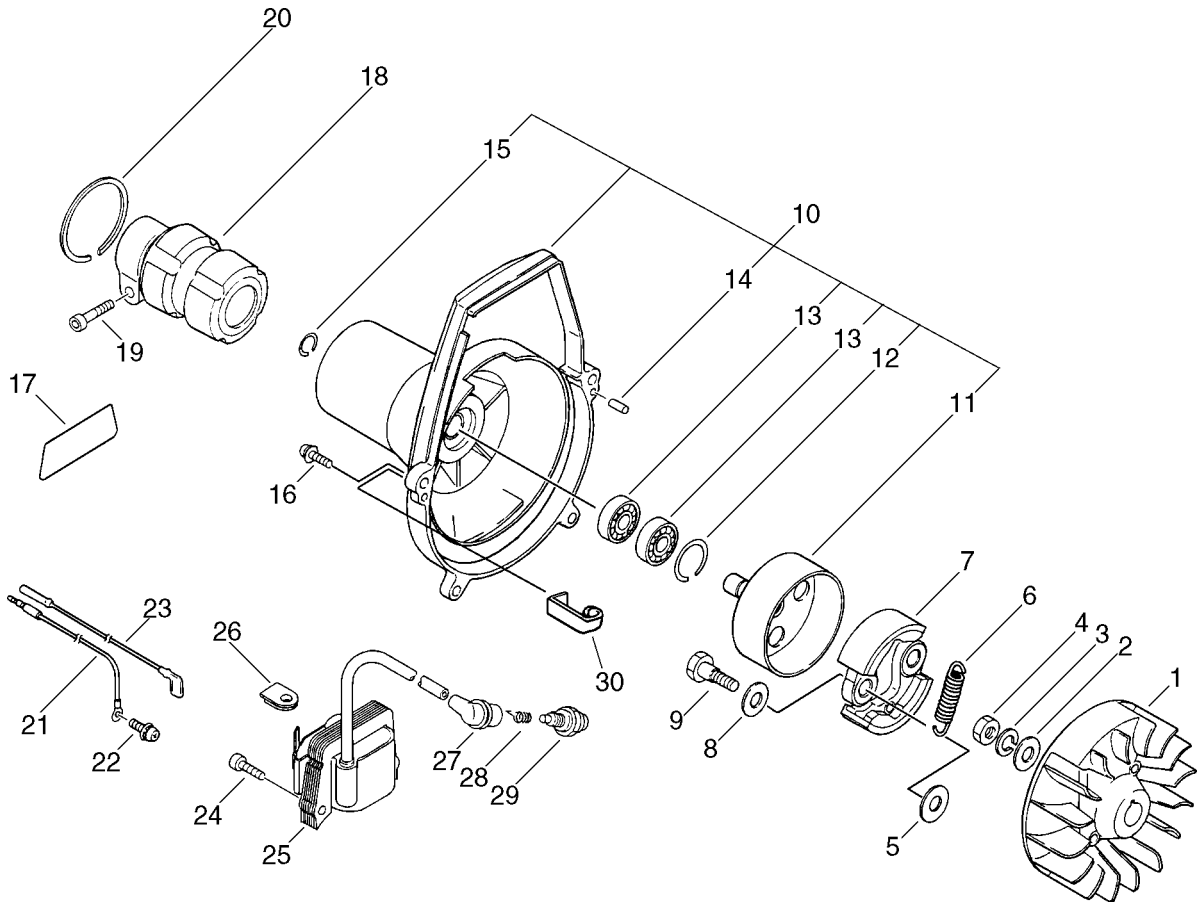
TRIMMER/ BRUSH CUTTER SRM-2655SI



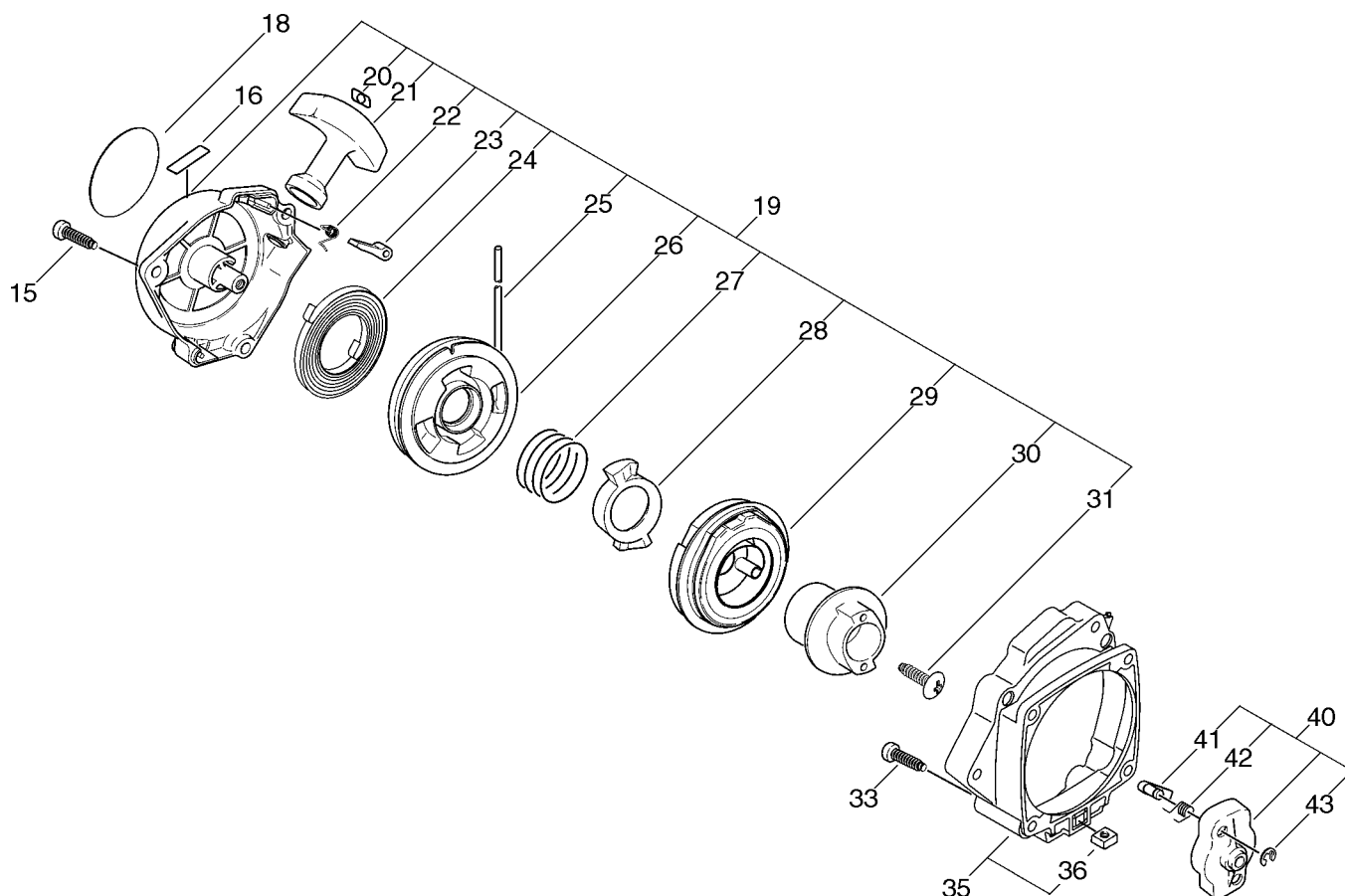
KEY	LV	PART NUMBER	Q'TY	DESCRIPTION	REMARKS
1		91121-05020	1	BOLT, FLANGE	
2		V353-000020	1	COLLAR,5	
3		159905-55930	1	GUARD, TOP	
4		A160-000220	1	COVER,CYLINDER	
5		101034-56532	1	CYLINDER	
6		900162-05022	4	BOLT, H.S. 5*22	
7		101010-56030	1	GASKET, CYL. BASE	
8		P021-000371	1	PISTON KIT	
9	+	A101-000010	2	RING, PISTON	
10	+	V606-000000	1	PIN, ENG 8	
11	+	100015-04630	2	CIRCLIP, PISTON PIN	
12	+	V553-000020	1	BEARING, NEEDLE 8	
13	+	100014-55930	2	SPACER, PISTON PIN	
14		100100-56032	1	CRANKSHAFT	
15		100142-12330	1	KEY, WOODRUFF	
16		P021-000941	1	CRANKCASE KIT	
17	+	100213-05530	1	OILSEAL	
18	+	900800-36001	2	BEARING, BALL 6001	
19	+	900702-00028	1	CIRCLIP 28	
20	+	100242-55930	1	GASKET, CRANKCASE	
21	+	100212-28230	1	OILSEAL ISCD 12*28*7	
22	+	900162-05025	4	BOLT, H.S. 5*25	
23		101538-28230	1	GROMMET, PLUG	



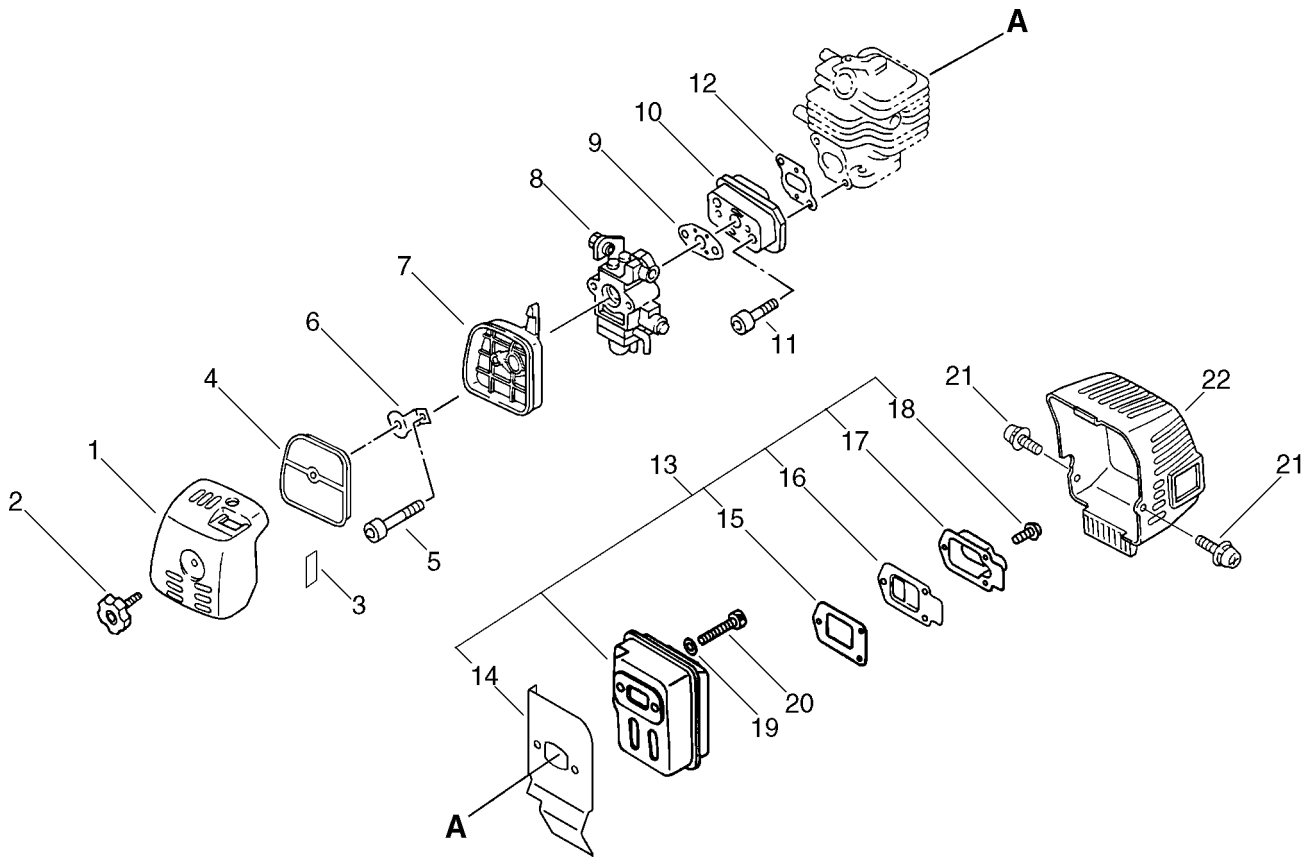
KEY	LV	PART NUMBER	Q'TY	DESCRIPTION	REMARKS
1		152801-55930	1	ROTOR, MAGNET	
2		900600-00008	1	WASHER 8	
3		900605-00008	1	WASHER, SPRING 8	
4		900502-00008	1	NUT 8 (3N)	
5		175048-05530	2	WASHER (I)	
6		175018-05533	1	SPRING, CLUTCH	
7		175009-55931	2	SHOE, CLUTCH	
8		175049-56030	2	WASHER	
9		175046-56030	2	SHAFT, CLUTCH	
10		101503-56031	1	COVER ASY, FAN	
11	+	175005-55930	1	DRUM, CLUTCH	
12	+	900702-00026	1	CIRCLIP 26	
13	+	900807-06000	2	BEARING, BALL 6000LB	
14	+	100215-03930	2	PIN, DOWEL	
15	+	900701-00010	1	CIRCLIP 10	
16		91118-05018	2	BOLT	
17		X547-000660	1	LABEL,ECHO	
18		610922-55931	1	HOLDER, MAIN PIPE	
19		91118-05028	1	BOLT	
20		900702-00042	1	CIRCLIP 42	
21		162014-52930	1	LEAD, GROUND	
22		900242-05010	1	SCREW 5*10	
23		162010-56430	1	LEAD, GROUND	
24		900162-05022	2	BOLT, H.S. 5*22	



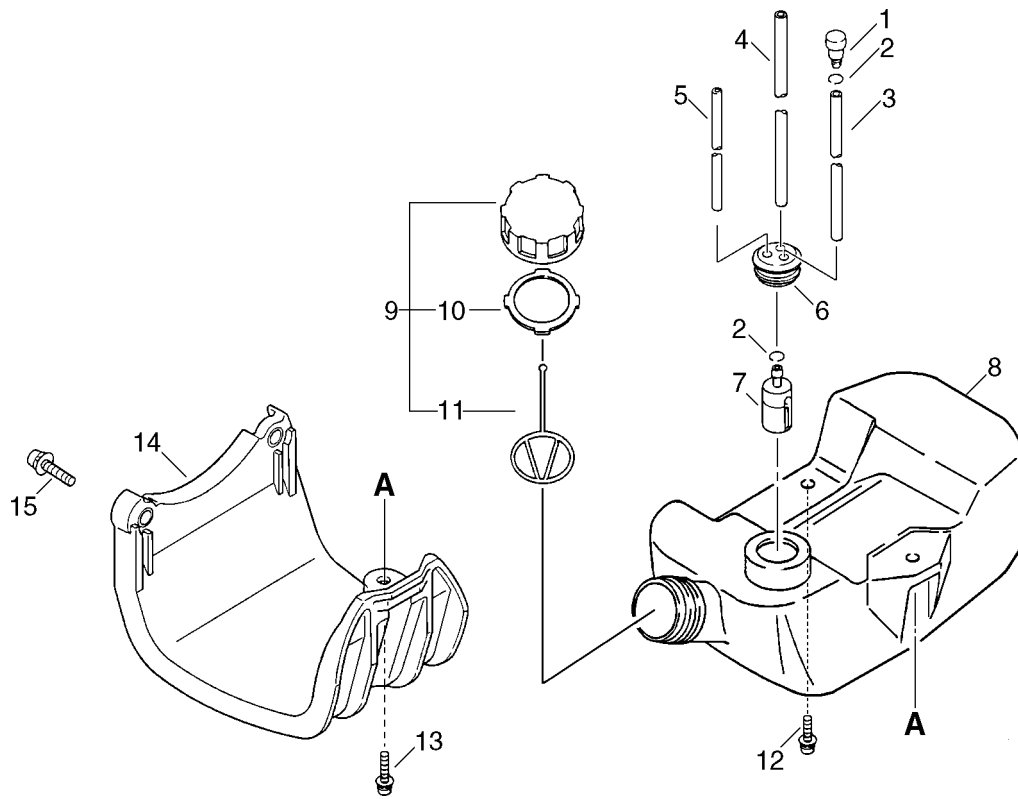
KEY	LV	PART NUMBER	Q'TY	DESCRIPTION	REMARKS
25		152626-56032	1	COIL, IGNITION	
26		156112-40630	1	GROMMET	
27		159012-03433	1	CAP, SPARK PLUG	
28		159011-03432	1	COIL, SPARK PLUG	
29		159010-10230	1	PLUG, SPARK (BPMR-7A)	
30		178111-06230	1	CLIP	



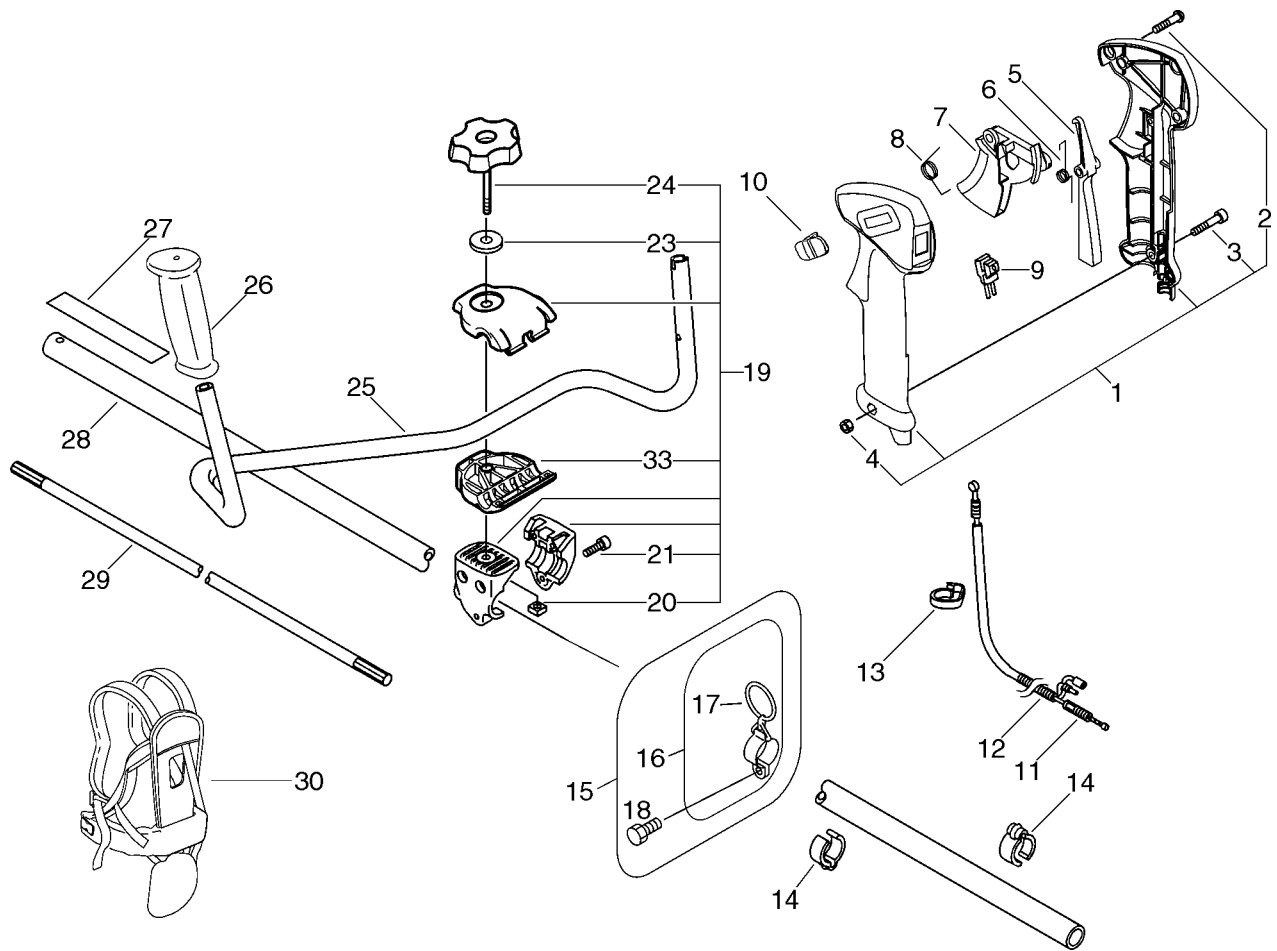
KEY	LV	PART NUMBER	Q'TY	DESCRIPTION	REMARKS
15		900253-05020	3	SCREW 5*20	
16		X505-000620	1	LABEL, CAUTION	
18		X502-000460	1	LABEL, ECHO	
19		A051-000321	1	STARTER, RECOIL	
20	+	177246-11120	1	CLIP, STARTER ROPE	
21	+	177228-27030	1	GRIP, STARTER	
22	+	P022-004610	2	SPRING, RETURN	
23	+	P022-004620	2	PAWL, STARTER	
24	+	P022-004680	1	SPRING, SPIRAL	
25	+	P022-004600	1	ROPE, STARTER	
26	+	P022-004690	1	REEL, ROPE	
27	+	P022-004660	1	SPRING, RETURN	
28	+	P022-004670	1	PAWL, STARTER	
29	+	P022-004700	1	COMPLETE, SPRING	
30	+	P022-004710	1	PLATE, CAM	
31	+	P022-004630	1	SCREW	
33		91118-04014	4	BOLT	
35		V376-000780	1	SPACER	
36	+	900565-00005	1	NUT	
40		A052-000100	1	PULLEY, ASM STARTER	
41	+	177218-40630	2	PAWL, STARTER	
42	+	177234-40630	2	SPRING, RETURN	
43	+	P022-002100	2	E-RING	



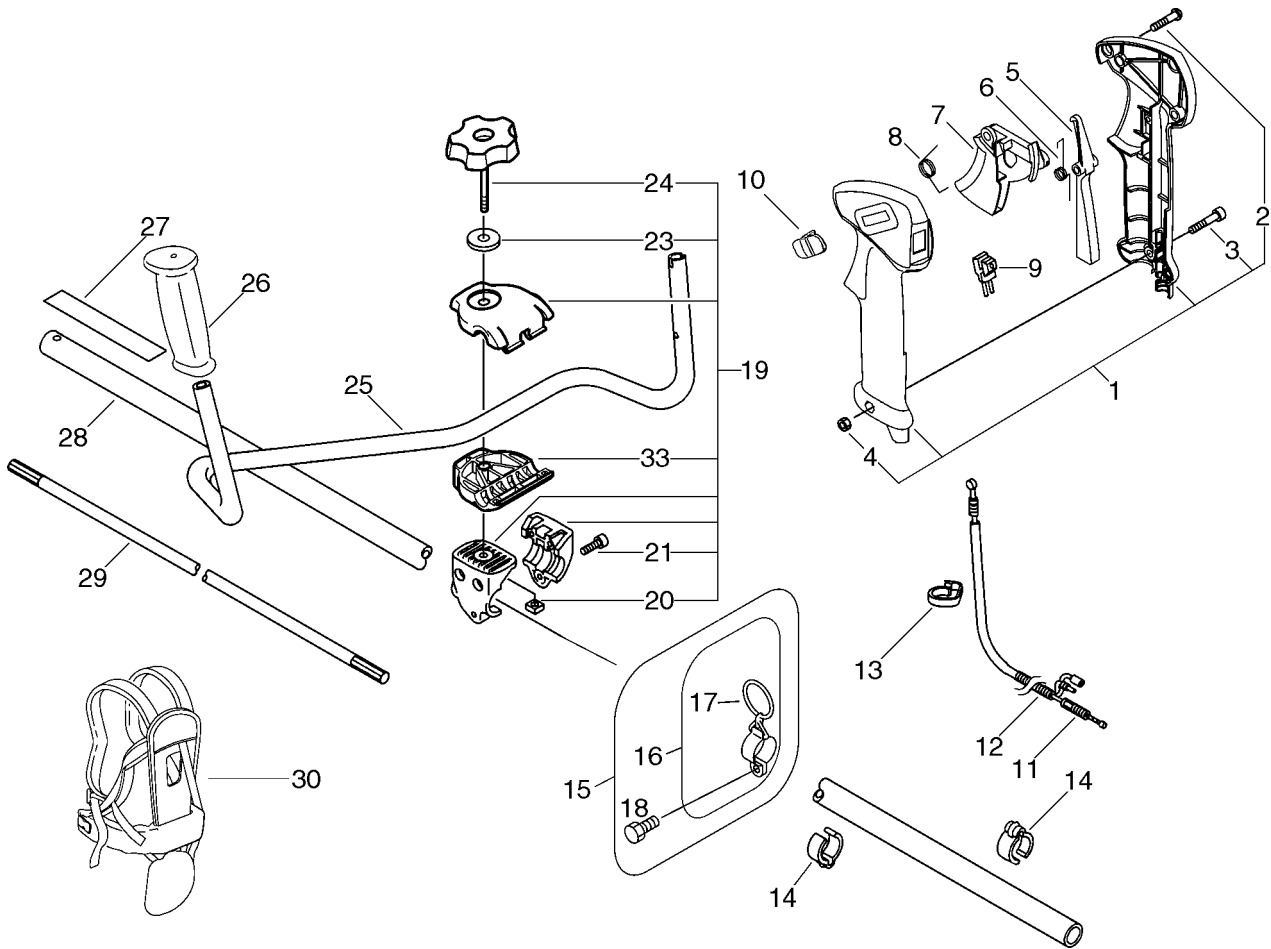
KEY	LV	PART NUMBER	Q'TY	DESCRIPTION	REMARKS
1		130313-57732	1	LID, CLEANER	
2		130406-52131	1	KNOB, FASTENER	
3		890332-52730	1	LABEL, CHOKE	
4		130310-51830	1	FILTER, AIR	
5		900242-05055	2	SCREW 5*55 (W/W.SW)	
6		129011-57731	1	PLATE, PRVENT	
7		P021-001430	1	CASE, AIR CLEANER	
8		A021-001480	1	CARBURETOR, DIAPHRAGM	
9		130010-13410	1	GASKET, INTAKE	
10		130017-56431	1	INSULATOR	
11		900162-05025	2	BOLT, H.S. 5*25	
12		130010-55930	1	GASKET, INTAKE	
13		145802-65831	1	MUFFLER ASY	
14	+	145510-55932	1	GASKET, MUFFLER	
15	+	145866-42031	1	GASKET, MUFFLER LID	
16	+	145876-42030	1	LID, MUFFLER (B)	
17	+	145818-52130	1	GUIDE, EXHAUST	
18	+	900238-04010	3	SCREW 4*10	
19		900600-00005	2	WASHER 5	
20		900105-05055	2	BOLT, H.S. 5*55	
21		91118-05012	2	BOLT	
22		145621-57731	1	COVER, MUFFLER	



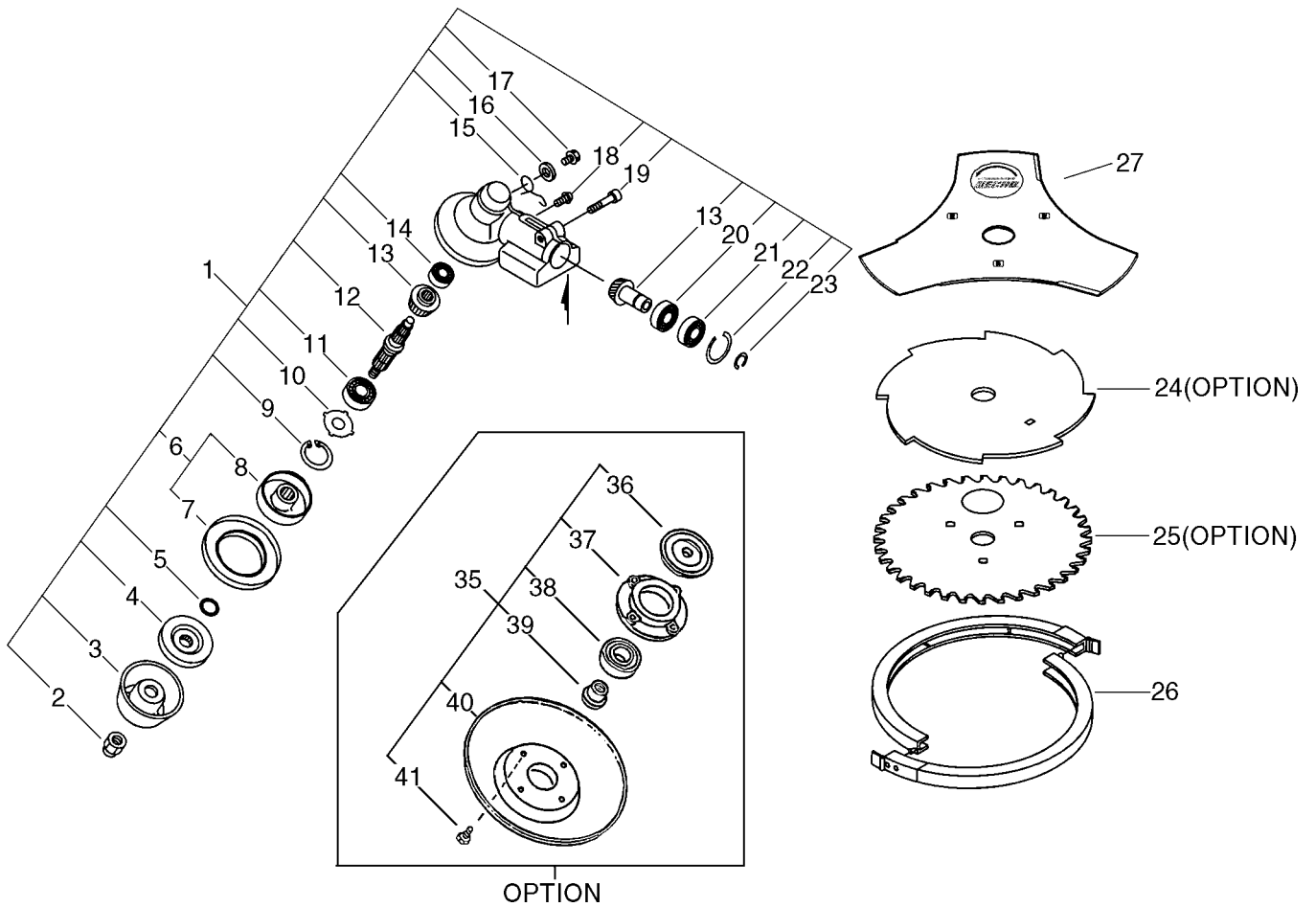
KEY	LV	PART NUMBER	Q'TY	DESCRIPTION	REMARKS
1		131300-56430	1	VALVE, CHECK	
2		132013-26630	2	CLIP	
3		437217-20760	1	PIPE 3*6*100	
4		132010-52030	1	PIPE	
5		437215-20760	1	PIPE 3*6*60	
6		132115-55930	1	GROMMET, FUEL	
7		131205-19830	1	STRAINER, FUEL	
8		131005-56532	1	TANK, FUEL	
9		131004-55530	1	CAP ASSY, FUEL TANK	
10	+	131016-55830	1	GASKET, FUEL CAP	
11	+	131051-56030	1	CLIP, FUEL CAP	
12		900239-05016	2	SCREW 5*16	
13		900244-05020	1	SCREW	
14		305110-57733	1	STAND	
15		91118-05022	2	BOLT	



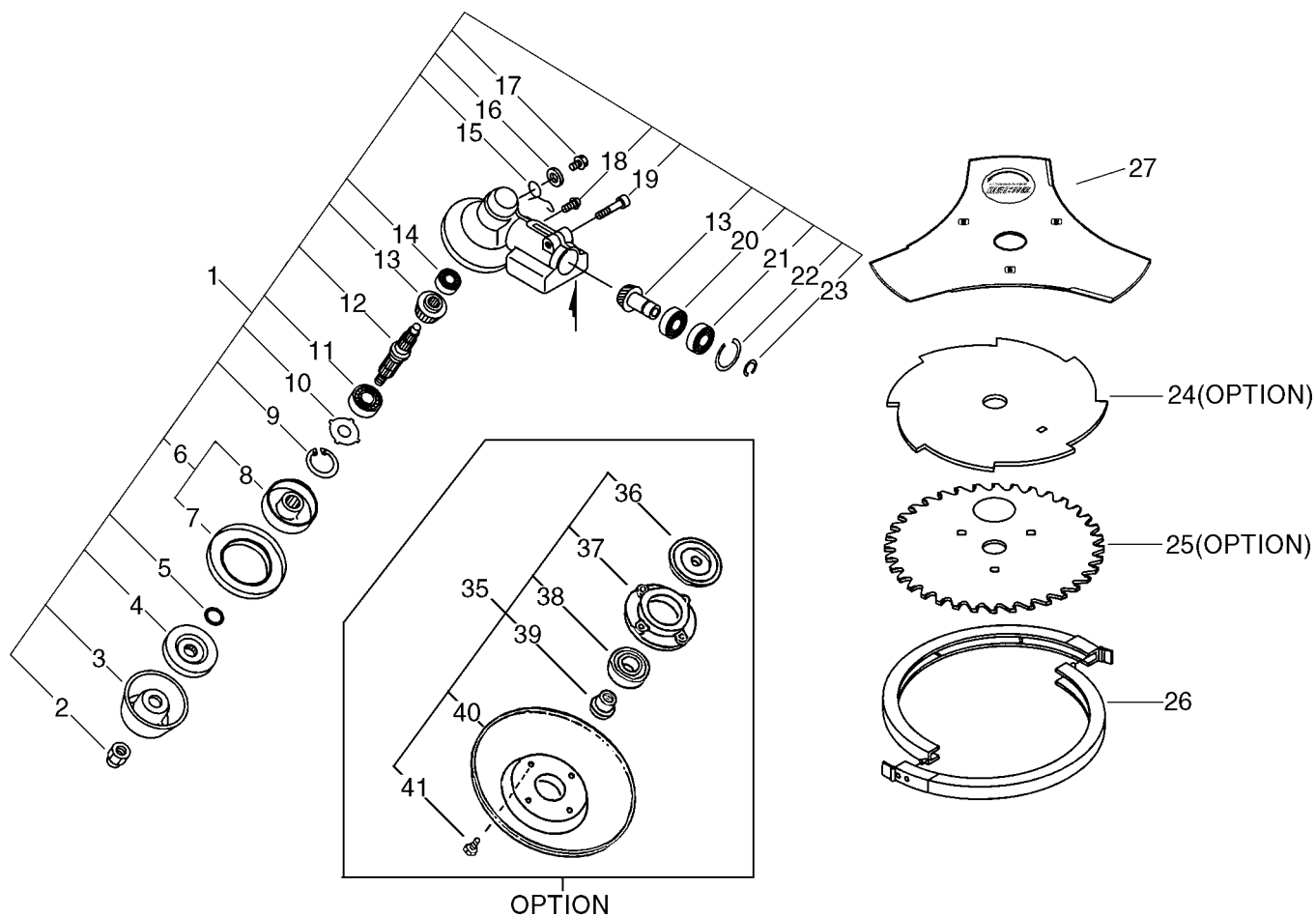
KEY	LV	PART NUMBER	Q'TY	DESCRIPTION	REMARKS
1		P021-002612	1	GRIP ASY,F-HANDLE	
2	+	900253-04016	3	SCREW 4*16	
3	+	900220-05030	1	SCREW 5*30	
4	+	900500-00005	1	NUT 5	
5		C460-000011	1	LOCKOUT,THROTTLE	
6		V452-000130	1	SPRING,TORSION	
7		C450-000022	1	TRIGGER,THROTTLE	
8		V452-000060	1	SPRING,TORSION	
9		163401-43130	1	SWITCH, IGNITION	
10		C463-000000	1	KNOB,LATCH	
11		V430-000362	1	CABLE,BOWDEN	
12		V475-000000	1	TUBE	
13		159112-09961	1	CLIP	
14		224924-52130	2	CLIP	
15		P021-013000	1	RING, HARNESS ASSY	
16	+	301200-21330	1	HOOK ASS'Y	
17	++	301015-05330	1	HOOK, BAND	
18	+	91119-05012	1	BOLT	
19		P021-012820	1	FIXTURE,ASY HANDLE	
20	+	900565-50008	1	NUT	
21	+	91118-05030	3	BOLT	
23	+	605014-54230	1	WASHER	
24	+	V299-000110	1	KNOB,FASTENER	
33	+	C423-000041	1	FIXTURE,HANDLE	



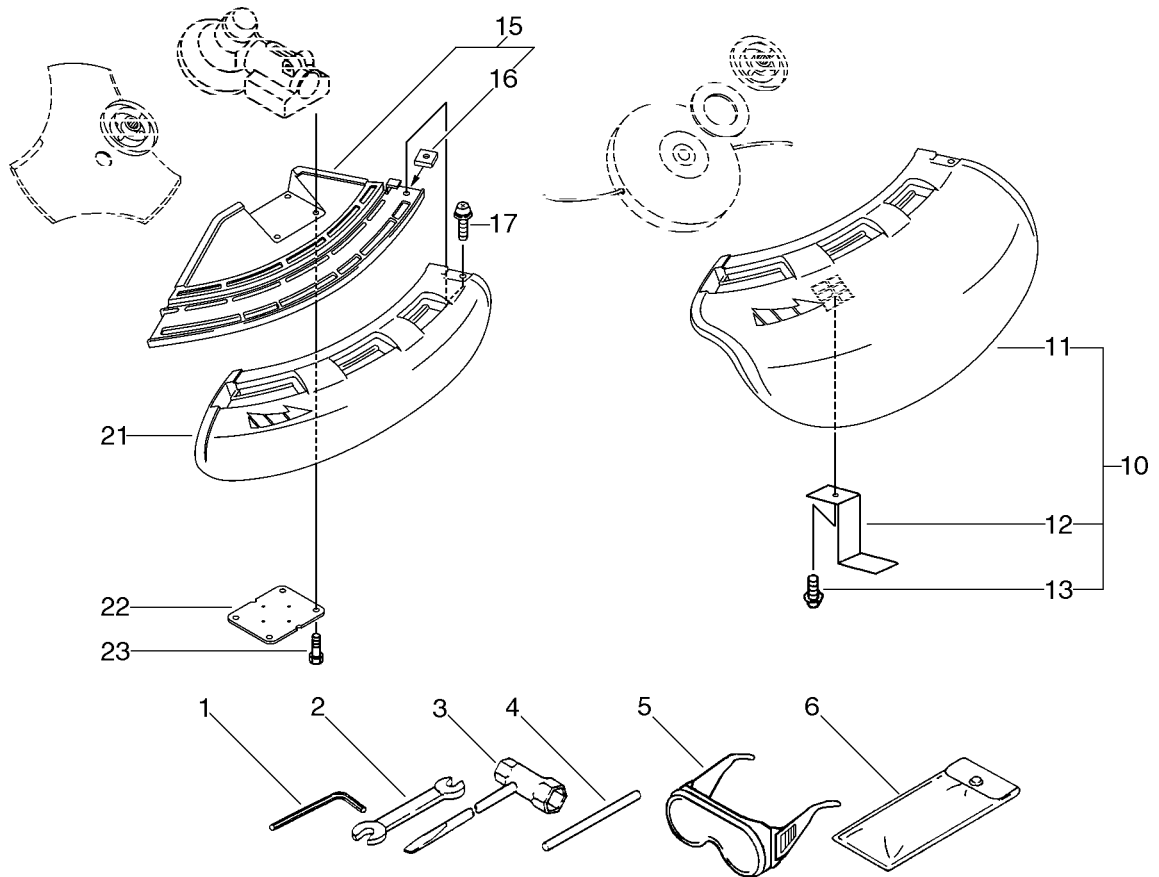
KEY	LV	PART NUMBER	Q'TY	DESCRIPTION	REMARKS
25		C400-000000	1	HANDLE,FRONT	
26		C403-000031	1	GRIP,HANDLE	
27		890617-43130	1	LABEL,CAUTION	
28		610206-23030	1	HOUSING ASS'Y, D.SFT	
29		610011-25530	1	SHAFT, DRIVE	
30		C062-000181	1	HARNES,SHOULDER	



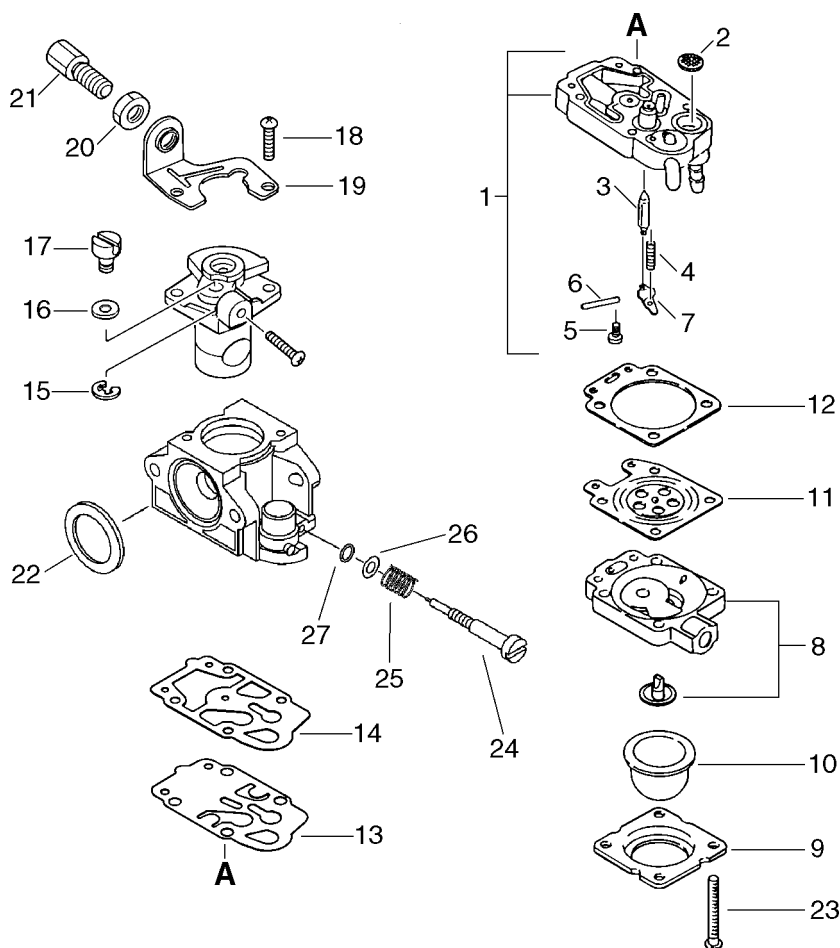
KEY	LV	PART NUMBER	Q'TY	DESCRIPTION	REMARKS
1		P021-012600	1	CASE,GEAR	
2	+	610320-52130	1	NUT 10	
3	+	699229-56830	1	PLATE, COVER	
4	+	610314-52130	1	PLATE, ADAPTER (L)	
5	+	900720-00012	1	O-RING 12	
6	+	C535-000001	1	FIXTURE,BLADE	
7	++	610352-56830	1	PLATE, CUP	
8	++	C535-000011	1	FIXTURE,BLADE	
9	+	900702-00032	1	CIRCLIP 32	
10	+	610444-56830	1	WASHER	
11	+	900812-06201	1	BEARING, BALL 6201	
12	+	610310-56830	1	SHAFT, P.T.O.	
13	+	610300-25531	1	GEAR SET	
14	+	900810-00626	1	BEARING, BALL 626	
15	+	610473-52131	1	SPRING	
16	+	900603-50008	1	WASHER	
17	+	610434-50031	1	BOLT 8* 8	
18	+	900242-05010	1	SCREW 5*10	
19	+	91118-06025	1	BOLT	
20	+	900855-06900	1	BEARING, BALL 6900	
21	+	900858-06900	1	BEARING, BALL 6900Z	
22	+	900702-00022	1	CIRCLIP 22	
23	+	900706-00010	1	CIRCLIP 10	
26		P021-007470	1	SCABBARD,BLADE	



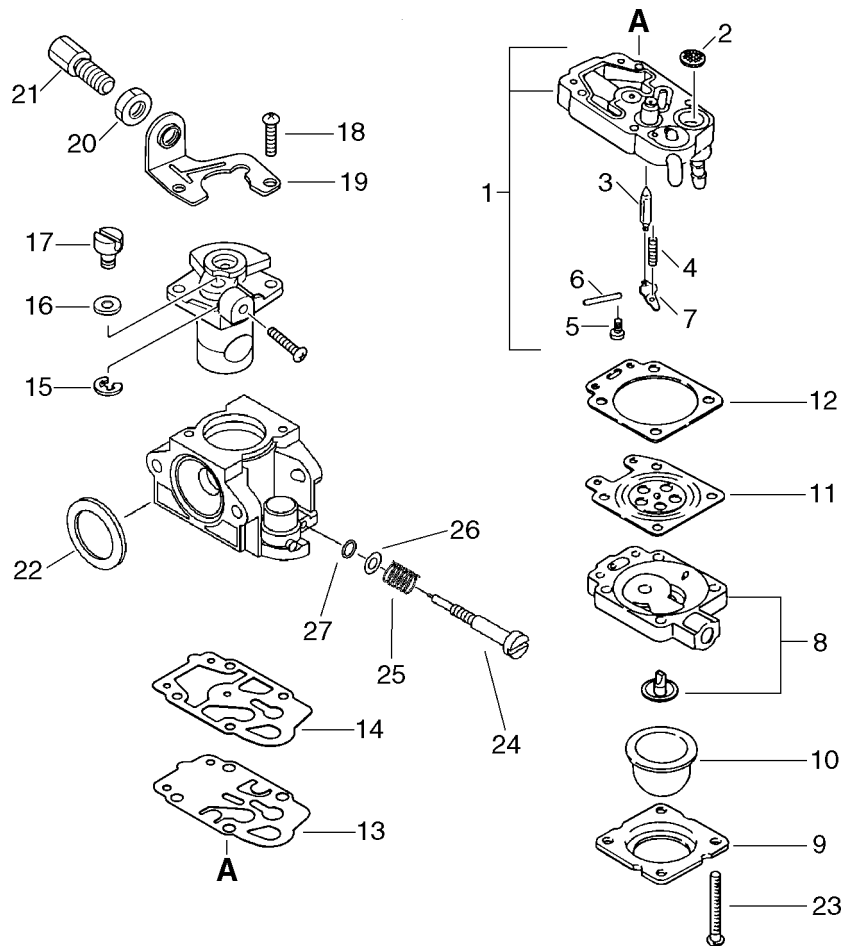
KEY	LV	PART NUMBER	Q'TY	DESCRIPTION	REMARKS
27		X405-000011	1	SAW,BUSH CUTTER	
24		696001-44731	1	BLADE, 8-CUTTER 9IN	
25		695001-44731	1	SAW, CIRCULAR 9*80T	
35		699200-56830	1	CAP ASSY, FREE	
36	+	610313-56830	1	PLATE, ADAPTER (U)	
37	+	699226-05430	1	HOLDER, BEARING	
38	+	900814-06202	1	BEARING, BALL 6202	
39	+	699227-04630	1	NUT	
40	+	699228-08930	1	PLATE, COVER	
41	+	900141-05012	4	BOLT 5*12	



KEY	LV	PART NUMBER	Q'TY	DESCRIPTION	REMARKS
1		895610-00130	1	L-WRENCH (4MM)	
2		895112-00330	1	SPANNER 8*10	
3		X602-000020	1	TOOL,WRENCH	
4		897518-01131	1	LOCKING TOOL	
5		P021-002861	1	GOGGLES	
6		898510-39130	1	BAG, TOOL	
10		P021-002620	1	SHIELD,BLADE(W/KNIFE	
11	+	C550-000080	1	SHIELD,BLADE	
12	+	C554-000000	1	KNIFE,CORD	
13	+	900252-05012	1	SCREW 5*12	
15		C550-000100	1	SHIELD,BLADE	
16	+	900565-00005	1	NUT	
17		900242-05018	1	SCREW 5*18	
21		C550-000090	1	SHIELD,BLADE	
22		699013-56830	1	PLATE, SHIELD	
23		91118-05025	4	BOLT	



KEY	LV	PART NUMBER	Q'TY	DESCRIPTION	REMARKS
		A021-001480	1	CARBURETOR,DIAPHRAGM	
1	+	123179-05560	1	BODY ASSY, PUMP	
2	++	123126-10631	1	SCREEN, INLET	
3	++	123137-19830	1	VALVE, INLET NEEDLE	
4	++	123122-05560	1	SPRING, METER. LEVER	
5	++	123139-05560	1	SCREW, M. LEVER PIN	
6	++	123138-03930	1	PIN, METERING LEVER	
7	++	123123-03930	1	LEVER, METERING	
8	+	123180-05560	1	BODY, AIR PURGE	
9	+	123142-05560	1	COVER, PRIMER PUMP	
10	+	123181-40630	1	PUMP, PRIMER	
11	+	P003-001850	1	DIAPHRAGM, METERING	
12	+	123140-05560	1	GASKET, M. DIAPHRAGM	
13	+	123112-40630	1	DIAPHRAGM, PUMP	
14	+	P003-000100	1	GASKET, PUMP	
15	+	123173-07930	1	CLIP	
16	+	123149-54230	1	WASHER	
17	+	123172-45130	1	SWIVEL	
18	+	123114-40630	2	SCREW	
19	+	123128-54230	1	BRACKET, IDLE ADJUST	
20	+	123153-56430	1	NUT, ADJUSTER	
21	+	123161-56431	1	SCREW, ADJUSTER	
22	+	123143-12110	1	RING, PACKING	
23	+	123110-05560	4	SCREW, PUMP COVER	



KEY	LV	PART NUMBER	Q'TY	DESCRIPTION	REMARKS
24	+	123120-54230	1	NEEDLE, HIGH SPEED	
25	+	123121-22130	1	SPRING, NEEDLE	
26	+	123174-54230	1	WASHER, CHECK VALVE	
27	+	123183-54230	1	O-RING	

Index

Parts Number	Key No.	Parts Number	Key No.	Parts Number	Key No.
A021-001480	4 - 8	V553-000020	1 - 12	130313-57732	4 - 1
A021-001480	9 -	V606-000000	1 - 10	130406-52131	4 - 2
A051-000321	3 - 19	X405-000011	7 - 27	131004-55530	5 - 9
A052-000100	3 - 40	X502-000460	3 - 18	131005-56532	5 - 8
A101-000010	1 - 9	X505-000620	3 - 16	131016-55830	5 - 10
A160-000220	1 - 4	X547-000660	2 - 17	131051-56030	5 - 11
C062-000181	6 - 30	X602-000020	8 - 3	131205-19830	5 - 7
C400-000000	6 - 25	100014-55930	1 - 13	131300-56430	5 - 1
C403-000031	6 - 26	100015-04630	1 - 11	132010-52030	5 - 4
C423-000041	6 - 33	100100-56032	1 - 14	132013-26630	5 - 2
C450-000022	6 - 7	100142-12330	1 - 15	132115-55930	5 - 6
C460-000011	6 - 5	100212-28230	1 - 21	145510-55932	4 - 14
C463-000000	6 - 10	100213-05530	1 - 17	145621-57731	4 - 22
C535-000001	7 - 6	100215-03930	2 - 14	145802-65831	4 - 13
C535-000011	7 - 8	100242-55930	1 - 20	145818-52130	4 - 17
C550-000080	8 - 11	101010-56030	1 - 7	145866-42031	4 - 15
C550-000090	8 - 21	101034-56532	1 - 5	145876-42030	4 - 16
C550-000100	8 - 15	101503-56031	2 - 10	152626-56032	2 - 25
C554-000000	8 - 12	101538-28230	1 - 23	152801-55930	2 - 1
P003-000100	9 - 14	123110-05560	9 - 23	156112-40630	2 - 26
P003-001850	9 - 11	123112-40630	9 - 13	159010-10230	2 - 29
P021-000371	1 - 8	123114-40630	9 - 18	159011-03432	2 - 28
P021-000941	1 - 16	123120-54230	9 - 24	159012-03433	2 - 27
P021-001430	4 - 7	123121-22130	9 - 25	159112-09961	6 - 13
P021-002612	6 - 1	123122-05560	9 - 4	159905-55930	1 - 3
P021-002620	8 - 10	123123-03930	9 - 7	162010-56430	2 - 23
P021-002861	8 - 5	123126-10631	9 - 2	162014-52930	2 - 21
P021-007470	7 - 26	123128-54230	9 - 19	163401-43130	6 - 9
P021-012600	7 - 1	123137-19830	9 - 3	175005-55930	2 - 11
P021-012820	6 - 19	123138-03930	9 - 6	175009-55931	2 - 7
P021-013000	6 - 15	123139-05560	9 - 5	175018-05533	2 - 6
P022-002100	3 - 43	123140-05560	9 - 12	175046-56030	2 - 9
P022-004600	3 - 25	123142-05560	9 - 9	175048-05530	2 - 5
P022-004610	3 - 22	123143-12110	9 - 22	175049-56030	2 - 8
P022-004620	3 - 23	123149-54230	9 - 16	177218-40630	3 - 41
P022-004630	3 - 31	123153-56430	9 - 20	177228-27030	3 - 21
P022-004660	3 - 27	123161-56431	9 - 21	177234-40630	3 - 42
P022-004670	3 - 28	123172-45130	9 - 17	177246-11120	3 - 20
P022-004680	3 - 24	123173-07930	9 - 15	178111-06230	2 - 30
P022-004690	3 - 26	123174-54230	9 - 26	224924-52130	6 - 14
P022-004700	3 - 29	123179-05560	9 - 1	301015-05330	6 - 17
P022-004710	3 - 30	123180-05560	9 - 8	301200-21330	6 - 16
V299-000110	6 - 24	123181-40630	9 - 10	305110-57733	5 - 14
V353-000020	1 - 2	123183-54230	9 - 27	437215-20760	5 - 5
V376-000780	3 - 35	129011-57731	4 - 6	437217-20760	5 - 3
V430-000362	6 - 11	130010-13410	4 - 9	605014-54230	6 - 23
V452-000060	6 - 8	130010-55930	4 - 12	610011-25530	6 - 29
V452-000130	6 - 6	130017-56431	4 - 10	610206-23030	6 - 28
V475-000000	6 - 12	130310-51830	4 - 4	610300-25531	7 - 13

Index

Parts Number	Key No.	Parts Number	Key No.	Parts Number	Key No.
610310-56830	7 - 12	900701-00010	2 - 15		
610313-56830	7 - 36	900702-00022	7 - 22		
610314-52130	7 - 4	900702-00026	2 - 12		
610320-52130	7 - 2	900702-00028	1 - 19		
610352-56830	7 - 7	900702-00032	7 - 9		
610434-50031	7 - 17	900702-00042	2 - 20		
610444-56830	7 - 10	900706-00010	7 - 23		
610473-52131	7 - 15	900720-00012	7 - 5		
610922-55931	2 - 18	900800-36001	1 - 18		
695001-44731	7 - 25	900807-06000	2 - 13		
696001-44731	7 - 24	900810-00626	7 - 14		
699013-56830	8 - 22	900812-06201	7 - 11		
699200-56830	7 - 35	900814-06202	7 - 38		
699226-05430	7 - 37	900855-06900	7 - 20		
699227-04630	7 - 39	900858-06900	7 - 21		
699228-08930	7 - 40	91118-04014	3 - 33		
699229-56830	7 - 3	91118-05012	4 - 21		
890332-52730	4 - 3	91118-05018	2 - 16		
890617-43130	6 - 27	91118-05022	5 - 15		
895112-00330	8 - 2	91118-05025	8 - 23		
895610-00130	8 - 1	91118-05028	2 - 19		
897518-01131	8 - 4	91118-05030	6 - 21		
898510-39130	8 - 6	91118-06025	7 - 19		
900105-05055	4 - 20	91119-05012	6 - 18		
900141-05012	7 - 41	91121-05020	1 - 1		
900162-05022	1 - 6				
900162-05022	2 - 24				
900162-05025	1 - 22				
900162-05025	4 - 11				
900220-05030	6 - 3				
900238-04010	4 - 18				
900239-05016	5 - 12				
900242-05010	2 - 22				
900242-05010	7 - 18				
900242-05018	8 - 17				
900242-05055	4 - 5				
900244-05020	5 - 13				
900252-05012	8 - 13				
900253-04016	6 - 2				
900253-05020	3 - 15				
900500-00005	6 - 4				
900502-00008	2 - 4				
900565-00005	3 - 36				
900565-00005	8 - 16				
900565-50008	6 - 20				
900600-00005	4 - 19				
900600-00008	2 - 2				
900603-50008	7 - 16				
900605-00008	2 - 3				



KIORITZ CORPORATION

7-2 SUEHIROCHO 1-CHOME, OHME, TOKYO 198-8711, JAPAN
PHONE: 81-428-32-6118. FAX: 81-428-32-6145.



200704 No.64-041(640452)